

FITS
16" x 45 1/8"
WALL SLEEVE

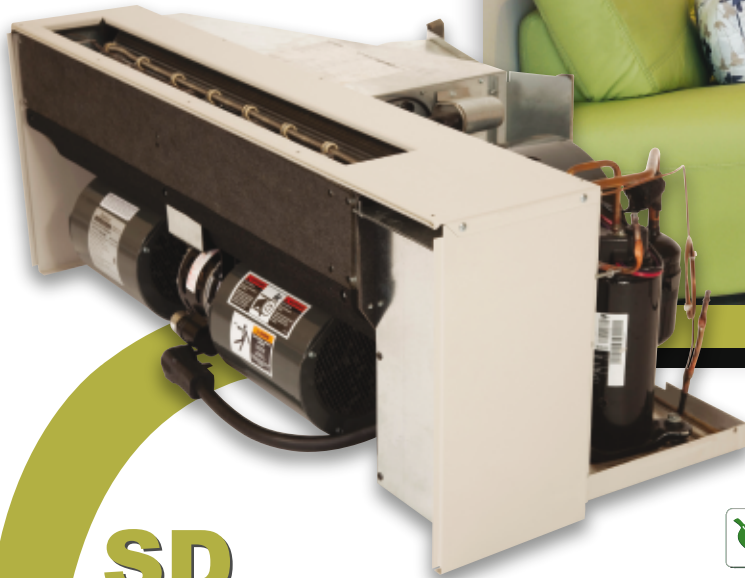
Packaged Terminal Air Conditioners

SD/SU

RELIABILITY / DURABILITY

Applied™

COMFORT



SD

- Slide in replacement for:
Chromalox™ Space Command
Downflow SI-DF and SHPI-DF Series
- DUCTED to multiple rooms
- Controlled by 24V wall thermostat
- Two-stage heat on units 5.5 kW and above
- Front panel, sleeve and grille NOT included

SU

- Slide in replacement for:
Chromalox™ Space Command
UPFLOW SI and SHPI Series
- Single-zone heat/cool - NOT ducted
- On-chassis or wall thermostat controlled
- Front panel INCLUDED
- Sleeve and grille NOT included

Features for SD & SU

- Optimized design for highest energy efficiency
- Premium components for reliability and durability
- Acoustic noise cancelling materials for unmatched comfort
- Updated version based on the original Chromalox™ design drawings
- Commercial-duty construction with heavy gauge galvanized steel
- Many cooling & heating options to match circuit amperage
- Separate indoor and outdoor fan motor
- Permanent type washable filter

Manufacturer's Warranty:

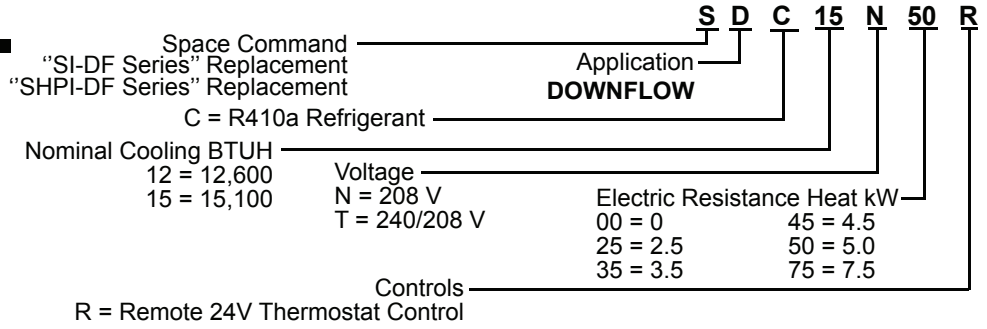
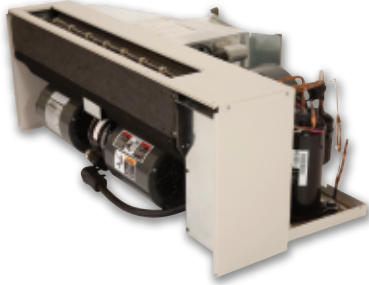
Year 1: Parts and labour

Year 2-6: Sealed system parts only including compressor

Shipping of parts is covered to any location in North America

OPTIONAL EXTENDED WARRANTY is available at additional cost per chassis

SD

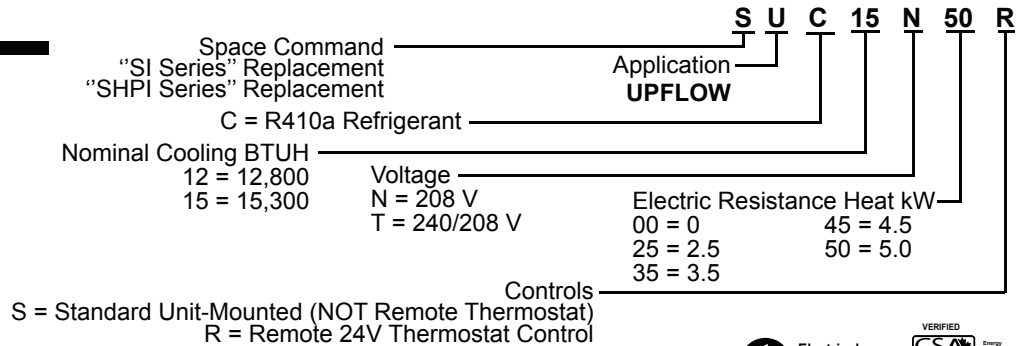
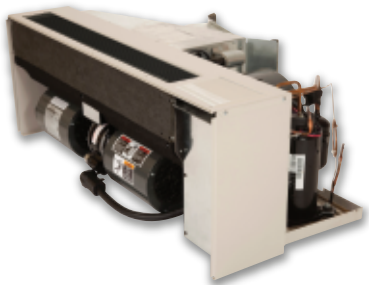


SD - ChromaloxTM DOWNFLOW SI-DF & SHPI-DF Replacement Cooling/Heating Performance (common DOWNFLOW models shown)



Model	Voltage	Cooling				Resistance Heat			Fuse Amps	Indoor CFM	Net WT. lbs.
		BTUH	EER	Amps	Pts./hr.	BTUH	kW	Amps			
SDC12T25R	240/208	12600	10.3	5.9/6.3	4.0	9000/6800	2.5/1.9	11.2/9.7	15	415/405	160
SDC12T35R	240/208	12600	10.3	5.9/6.3	4.0	12400/9400	3.5/2.6	15.4/13.3	20	415/405	160
SDC12T50R	240/208	12600	10.3	5.9/6.3	4.0	17500/13200	5.0/3.8	21.6/18.6	30	415/405	160
SDC12T75R	240/208	12600	10.3	5.9/6.3	4.0	26000/19600	7.5/5.6	32.0/27.9	40	415/405	160
SDC12N45R	208	12600	10.3	6.3	4.0	15700	4.5	22.5	30	405	160
SDC12N75R	208	12600	10.3	6.3	4.0	26000	7.5	36.9	50	405	160
SDC15T35R	240/208	15100	9.9	7.6/7.8	5.2	12400/9400	3.5/2.6	15.4/13.3	20	415/405	160
SDC15T50R	240/208	15100	9.9	7.6/7.8	5.2	17500/13200	5.0/3.8	21.6/18.6	30	415/405	160
SDC15T75R	240/208	15100	9.9	7.6/7.8	5.2	26000/19600	7.5/5.6	32.0/27.9	40	415/405	160
SDC15N45R	208	15100	9.9	7.8	5.2	15700	4.5	22.5	30	405	160
SDC15N75R	208	15100	9.9	7.8	5.2	26000	7.5	36.9	50	405	160

SU



SU - ChromaloxTM UPFLOW SI & SHPI Replacement Cooling/Heating Performance (common UPFLOW models shown)



Model	Voltage	Cooling				Resistance Heat			Fuse Amps	Indoor CFM	Net WT. lbs.
		BTUH	EER	Amps	Pts./hr.	BTUH	kW	Amps			
SUC12T25S	240/208	12800	10.6	6.0/6.6	4.0	9000/6800	2.5/1.9	11.1/9.6	15	410/395	165
SUC12T35S	240/208	12800	10.6	6.0/6.6	4.0	12400/9400	3.5/2.6	15.3/13.2	20	410/395	165
SUC12T50S	240/208	12800	10.6	6.0/6.6	4.0	17500/13200	5.0/3.8	21.5/18.7	30	410/395	165
SUC12N45S	208	12800	10.6	6.6	4.0	15700	4.5	22.4	30	395	165
SUC15T35S	240/208	15300	10.2	7.2/8.0	5.2	17500/13200	5.0/3.8	21.5/18.7	30	410/395	165
SUC15N45S	208	15300	10.2	8.0	5.2	15700	4.5	22.4	30	395	165