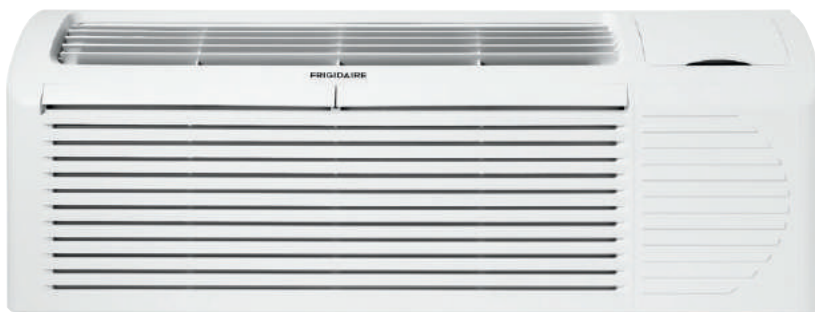


## Packaged Terminal Air Conditioner (PTAC) FFRP092HT2

Air Conditioner /  
Heat Pump /  
Backup Electric Heater



### Product Dimensions

Height	16"
Width	42"
Depth	21-3/4"

### More Easy-To-Use Features

#### Comfort Control Design

Simple controls allow guests to customize their settings, while quiet, uniform air movement keeps rooms comfortable.

#### Smart Self-Check

Provides nine diagnostic points for self-check and correction of fault conditions.

#### Eco-Friendly

Frigidaire® uses R-410A refrigerant that's not harmful to the earth's ozone layer and meets U.S. Environmental Protection Agency requirements.

#### Effortless™ Operation

Simple, intuitive room controls are easy for guests to operate — ensuring a relaxing, more comfortable stay. Features like Effortless™ Restart and Ready-Select® controls reduce maintenance calls.

Performance	BTUs
Cool	9,400 / 9,200
Backup Electric Heater	8,300 / 6,800
Heat Pump	8,300 / 8,100

## Signature Features

### Corrosion Guard

A corrosion-resistant fin coating extends operation life and your investment, plus it is easier to maintain in coastal environments.

### Dry Mode

Dry Mode feature will help manage and reduce the humidity content within the living space, making it more comfortable.

### Effortless™ Maintenance

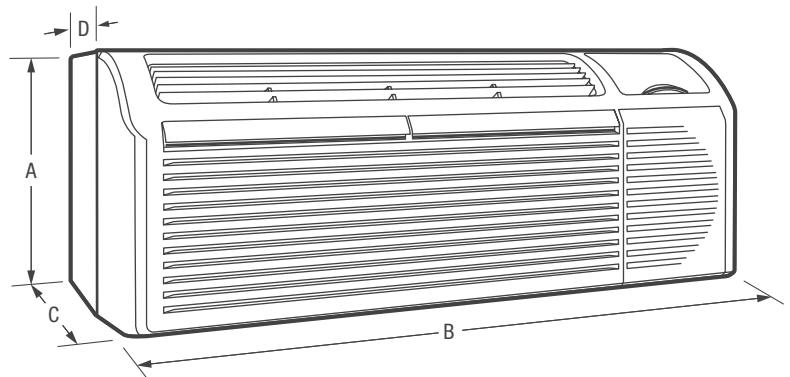
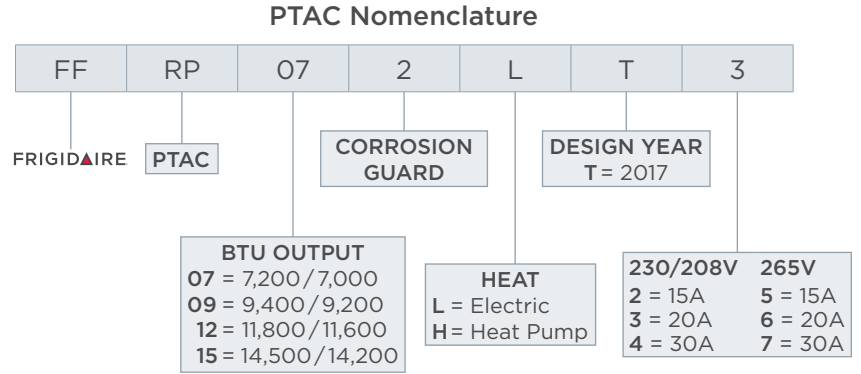
With Frigidaire's reputation for durability, easy maintenance, availability of reliable parts and service you can count on, you can be sure that you're getting the highest-quality performance.

### SilentDesign™

Sound reduction package.



<b>Performance</b>	
BTU (Cool)	9,400 / 9,200
BTU (Backup Electric Heater)	8,300 / 6,800
BTU (Heat Pump)	8,300 / 8,100
Dehumidification (Pints / Hour)	2.1
Cool Area (Sq. Ft.)	450
Energy Efficiency Ratio	12.1
<b>Electrical</b>	
Volts	230 / 208
Amps (Cool)	3.7 / 3.9
Amps (Backup Electric Heater)	10.7 / 9.7
Amps (Heat Pump)	3.2 / 3.4
Watts (Cool)	775 / 760
Watts (Backup Electric Heater)	2,450 / 2,000
Watts (Heat Pump)	695 / 675
Cable Included	Yes
Length of Power Cord	5.5'
Circuit Breaker	15A
Plug Type (NEMA)	LCDI (6-15P)
<b>Features</b>	
Fin Coating	Corrosion Guard
Dry Mode	Yes
Electronic Controls	Ready-Select® Controls
Front Desk Control Ready	Yes
Fan Speeds (Dry / Cool / Fan / Heat)	1 / 2 / 2 / 2
Noise Level Indoors (High / Low)	52 / 50
Quiet Start-Up	Yes
Low Voltage Start-Up	Yes
Random Restart Protection	Yes
Effortless™ Auto Freeze Protection	Yes
Energy Save	Yes
24-Hour On / Off Timer	Yes
Air CFM (High / Low)	330 / 294
Air Direction Control	Auxiliary 2-Way
Air Intake	Fresh or Recycled
Filter Type	Nylon Mesh
Filter Access	Slide-Out
Slide-Out Chassis	Yes
Commercial Grade Warranty <sup>1</sup>	Yes
<b>Certifications</b>	
Safety Certification	UL, CUL & CSA
Performance	AHRI & CEC
<b>Specifications</b>	
Refrigerant	R410a
Charge	33.9 oz.
Shipping Weight (Approx.)	141 Lbs.



<sup>1</sup>Warranty 5 year sealed system / 2 year full parts and labor.



Plug Type (NEMA)  
6-15P



**NOTE:** For planning purposes only. Always consult local and national electric codes. Refer to Product Installation Guide for detailed installation instructions on the web at [frigidaire.com](http://frigidaire.com).

Product Dimensions	
A - Height	16"
B - Width	42"
C - Depth (Overall Unit)	21-3/4"
D - Depth (Inside Sleeve)	13-3/4"
Max. Wall Thickness	13-1/2" <sup>2</sup>

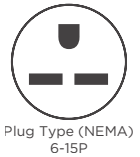
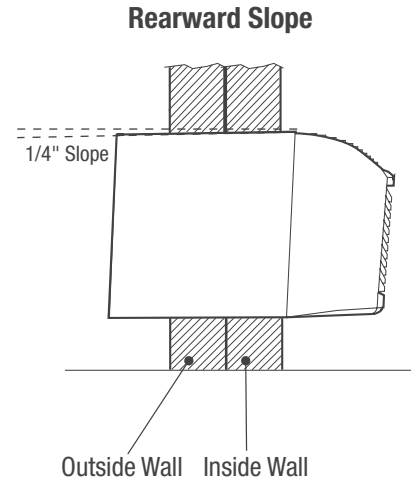
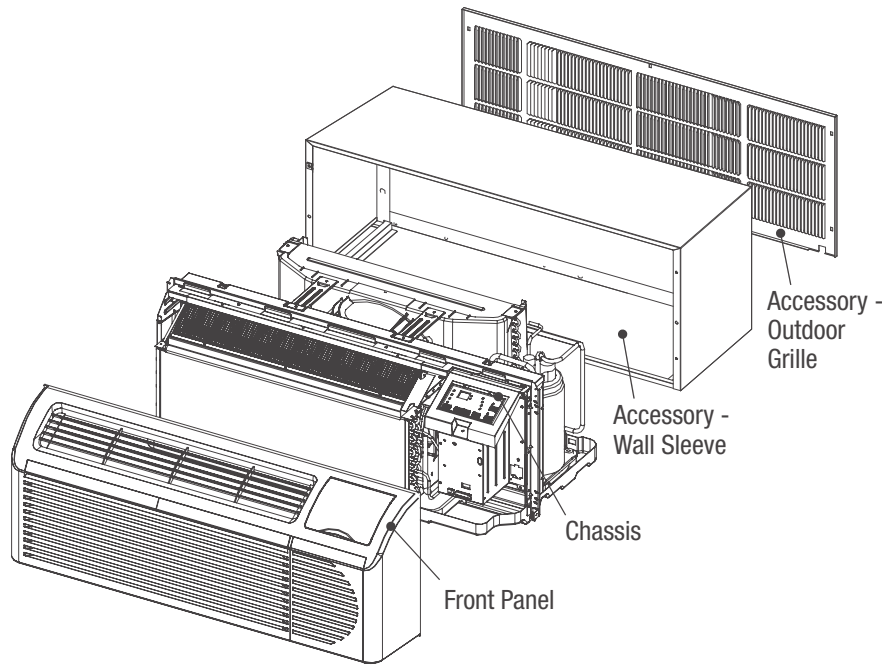
Wall Cutout Dimensions	
Height	16-1/4"
Width	42-1/4"

<sup>2</sup>Unless the PTAC unit is installed with a wall sleeve.

Accessories information available on the web at [frigidaire.com](http://frigidaire.com)

**FRIGIDAIRE**

USA • 10200 David Taylor Drive • Charlotte, NC 28262 • 1-800-FRIGIDAIRE • [frigidaire.com](http://frigidaire.com)  
 CANADA • 5855 Terry Fox Way • Mississauga, ON L5V 3E4 • 1-800-265-8352 • [frigidaire.ca](http://frigidaire.ca)



Product Dimensions	
Height	16"
Width	42"
Depth (Overall Unit)	21-3/4"
Depth (Inside Sleeve)	13-3/4"
Max. Wall Thickness	13-1/2"

Wall Cutout Dimensions	
Height	16-1/4"
Width	42-1/4"

**PTAC Specifications**

- Product Shipping Weight (approx.) - 141 Lbs.
- An electrical supply with grounded three-prong receptacle is required. The power supply circuit must be installed in accordance with current edition of National Electrical Code (ANSI/NFPA 70) and local codes & ordinances.
- Voltage Rating - 230V / 208V / 60 Hz
- Amps @ 230/208V Volts = (Cool) 3.7 / 3.9 Amps / (Backup Electric Heater) 10.7 / 9.7 Amps / (Heat Pump) 3.2 / 3.4 Amps
- Always consult local and national electric codes.
- Recommended Circuit Breaker - 15 Amps
- Unit equipped with 230/208V 3-wire power supply cord, NEMA plug type 6-15P, approximately 66" long.
- In order for condensate water to drain properly inside the unit, the sleeve must be installed properly: Level from right to left with a slight 1/4" rearward pitch from the indoor side to the outdoor side as shown in the illustration above. Refer to the Installation Instructions on the web.
- The drain kit listed on the Frigidaire® PTAC Accessories page can be used for an internal or external drain. This applies to new and replacement installation.

**New Installation**

- For new installation, Frigidaire® PTAC Sleeves are available and recommended for proper installation. See accessories pages for sleeve options.\*
- Standard PTAC installation requires 13-1/2" maximum wall thickness, unless a wall sleeve is used.
- If the PTAC unit protrudes more than 4", then it is suggested that it be installed with a subbase. See accessories pages for subbase options.

**Replacement Installation**

- When replacing existing PTAC with new unit, refer to Product Installation Guide on web to identify existing wall-sleeve manufacturer and size compatibility. If proper installation and slope are suspect, then correct installation of Frigidaire® PTAC Sleeve options recommended.
- For any sleeve retrofit application, be sure that the foam seals (factory-installed on the tube sheets) provide a good seal between the grille and the outdoor coil tube sheets. These foam seals provide a barrier that stops air from the inside mixing with air on the outside (known as air recirculation).
- Using Frigidaire® wall sleeve with Non-Frigidaire grille requires installation of an Accessory Baffle Kit, which ensures a good seal between the unit and exterior grille to prevent air recirculation. Air recirculation is a large contributor to performance loss and premature damage to major components.

**Note:** For planning purposes only. Refer to Product Installation Guide on the web at [frigidaire.com](http://frigidaire.com) for detailed instructions.

\*See Frigidaire® PTAC accessories pages attached for optional accessories.

**FRIGIDAIRE**

USA • 10200 David Taylor Drive • Charlotte, NC 28262 • 1-800-FRIGIDAIRE • [frigidaire.com](http://frigidaire.com)  
 CANADA • 5855 Terry Fox Way • Mississauga, ON L5V 3E4 • 1-800-265-8352 • [frigidaire.ca](http://frigidaire.ca)



# Packaged Terminal Air Conditioner (PTAC)

## ACCESSORIES

# FRIGIDAIRE®

**Metal  
Wall Sleeve**



**Polymer  
Wall Sleeve**

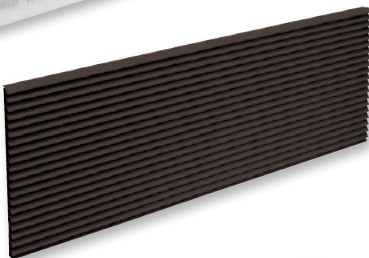


**Condensation Universal Drain Kit**

**Stamped  
Aluminum  
Grille**



**Architectural  
Aluminum  
Grille**



**Polymer  
Architectural  
Grille**



## Wall Sleeves and Drain Kit

### Metal Wall Sleeve & Accessories

- 5304482701** Steel Sleeve - Insulated
- 5304483759** 16" Extended Sleeve - Insulated
- 5308815304** 18" Extended Sleeve - Insulated
- 5308815305** 24" Extended Sleeve - Insulated
- 5304483760** 3" Sleeve Adapter

These fully insulated sleeves are made of electro-galvanized steel that resists corrosion, and welded areas are sealed with a rust preventive. White powder coating matches PTAC units. Sliding keyhole grille attachments enable easy, one-person installation from the inside.

### Polymer Wall Sleeve

- 5308815302** Insulated

Utilizes fiberglass-reinforced polyester compound to produce a durable, noncorrosive wall case that provides superior sound absorption, reduces heat loss and prevents sleeve sweating. (Requires use of a Polymer Architectural Grille.)

### Condensation Universal Drain Kit

- 5304480570** 1-Pack

Controls condensate from the PTAC unit and can be used for exterior or interior drain systems. Includes 1/2" O.D. copper drain tubes with a short right angle tube and a 6" straight tube to suit the application. (Recommended for all new sleeve installations.)

## Outdoor Grilles

### Stamped Aluminum Outdoor Grille

- 5304480557** Clear Anodized Aluminum Finish

Cost-effective, one-piece stamped grille is made from durable anodized aluminum. The grille is lightweight, has a clear finish and is easy to install from inside the room.

### Architectural Aluminum Outdoor Grilles

- 5304480558** Clear Anodized Aluminum Finish
- 5308815313** Dark Brown
- 530448055X** Customized Color

Enhances the appearance of any building. Made of a durable, anodized aluminum that offers weather resistance. Sliding keyhole attachment enables easy installation onto Frigidaire® metal wall sleeve.

### Polymer Architectural Outdoor Grilles

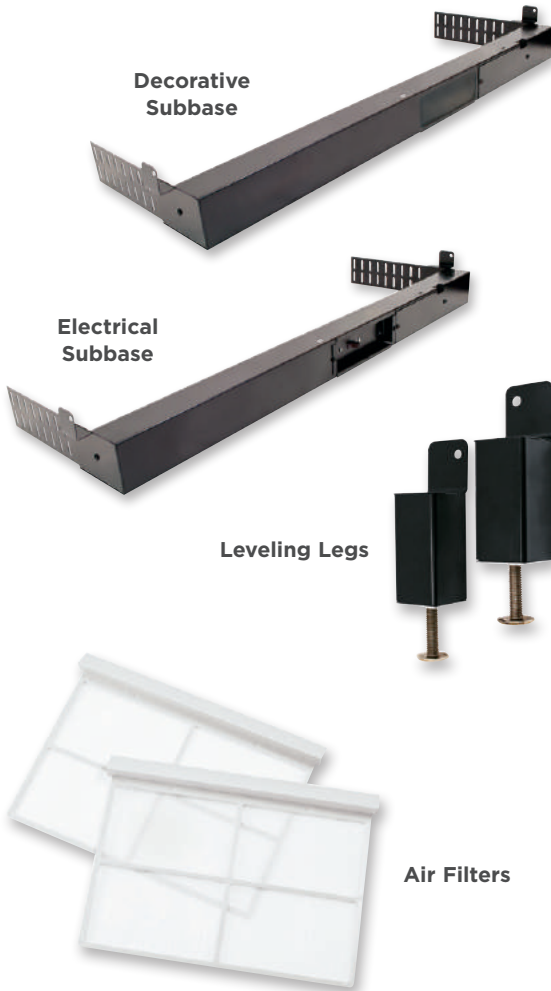
- 5308815310** Brown
- 5308815312** Alpine Beige

Blends with most building exteriors. Its durable design offers protection, has an enhanced appearance and provides superior weather resistance. (Requires use of a Polymer Wall Sleeve.)

# Packaged Terminal Air Conditioner (PTAC)

## ACCESSORIES

# FRIGIDAIRE



Decorative Subbase

Electrical Subbase

Leveling Legs

Air Filters

Wall Thermostats



FFTSTATWL



5304483050



Lateral Duct Kit

## Subbases and Leveling Legs

### Decorative Subbase

**5308815315** Black

Made of heavy-gauge steel to provide support for the wall sleeve, the subbase mounts directly to the wall sleeve and has adjustable leveling legs.

### Black Electrical Subbases

**5304482886** 230V/15A

**5304482891** 265V/30A

**5304482888** 230V/30A

**5304482890** 265V/20A

**5304482887** 230V/20A

**5304482698**

265V Subbase Disconnect Switch

**5304490211**

Hardwire Kit, Conduit and Plate  
(For 230V and 265V)

Offers the same features as the decorative subbase, plus a factory-installed electrical junction box containing a receptacle for corded PTAC units.

### Leveling Legs

**5304480575**

Attach easily to the wall sleeve and offer accurate leveling and support for units without a subbase. Adjustable from 3-1/4" to 5-1/2".

## Air Filters

### Air Filters

**5304482892** 10-Pack

Changing filters periodically ensures a healthy room environment, proper airflow, temperature control and energy efficiency.

## Wall Thermostats

### Wireless Digital Wall Thermostat

**FFTSTATWL** Non-Programmable (Includes Wireless Receiver)

Allows control without having to worry about wiring. Easy to install and use. Large intuitive LCD screen improves user interaction.

### Wired Digital Wall Thermostats

**5304482700** Programmable

**5304483050** Non-Programmable

Offers auto-changeover, 2-stage heating and cooling, as well as emergency heating mode for heat pump.

### Laminated Insert

**FPTAC0511**

Informs guests that unit is controlled by wall thermostat.

## Miscellaneous

### Lateral Duct Kit

**5304490206**

Allows one PTAC unit to heat or cool two rooms. Kit mounts to wall sleeve and can be installed for either right- or left-side duct applications.

### Baffle Kit

**5304484585**

Baffle Kit for use on non-standard grilles.