

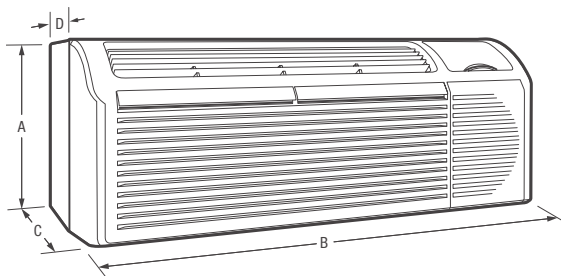
PTAC 2017 AIR CONDITIONER COLLECTION

AIR CONDITIONERS WITH ELECTRIC HEAT

All models come with Corrosion Guard.

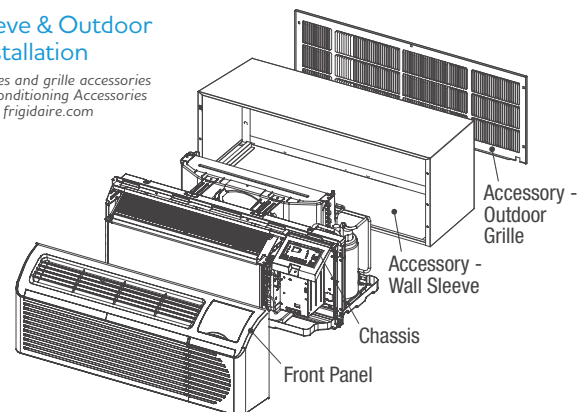
| PERFORMANCE (230/208V) | FFRP072LT2 | FFRP072LT3 | FFRP092LT2 | FFRP092LT3 | FFRP122LT3 | FFRP152LT3 | FFRP152LT4 |
|---|-------------------|------------------|-------------------|------------------|-------------------|-------------------|-------------------|
| BTU (Cool) | 7200/7000 | 7,200/7,000 | 9,400/9,200 | 9,400/9,200 | 11,800/11,600 | 14,500/14,200 | 14,500/14,200 |
| BTU (Electric Heater) | 8,300/6,800 | 11,700/9,600 | 8,300/6,800 | 11,700/9,600 | 11,700/9,600 | 11,700/9,600 | 17,000/13,900 |
| Dehumidification (Pints per Hour) | 1.7 | 1.7 | 2.1 | 2.1 | 2.7 | 3.5 | 3.5 |
| Cool Area (Approx. Sq.Ft.) | 300 | 300 | 450 | 450 | 620 | 830 | 830 |
| Energy Efficiency Ratio | 13.0 | 13.0 | 12.1 | 12.1 | 11.6 | 10.4 | 10.4 |
| Air Volume CFM (High/Low) | 312/282 | 312/282 | 330/294 | 330/294 | 341/306 | 341/306 | 341/306 |
| Dry Mode | Yes | Yes | Yes | Yes | Yes | Yes | Yes |
| Noise Level dB (High/Low) | 50/48 | 50/48 | 52/50 | 52/50 | 53/50 | 54/51 | 54/51 |
| ELECTRICAL | | | | | | | |
| Volts / Hertz | 230/208V / 60Hz | 230/208V / 60Hz | 230/208V / 60Hz | 230/208V / 60Hz | 230/208V / 60Hz | 230/208V / 60Hz | 230/208V / 60Hz |
| Amps (Cool) | 27/2.9 | 2.7/2.9 | 3.7/3.9 | 3.7/3.9 | 4.9/5.1 | 6.2/6.7 | 6.2/6.7 |
| Amps (Electric Heater) | 10.7/9.7 | 15.0/13.6 | 10.7/9.7 | 15.0/13.6 | 15.0/13.6 | 15.0/13.6 | 21.8/19.7 |
| Watts (Cool) | 550/535 | 550/535 | 775/760 | 775/760 | 1,015/1,000 | 1,390/1,365 | 1,390/1,365 |
| Watts (Electric Heater) | 2,450/2,000 | 3,450/2,820 | 2,450/2,000 | 3,450/2,820 | 3,450/2,820 | 3,450/2,820 | 5,000/4,089 |
| Cable Included | Yes | Yes | Yes | Yes | Yes | Yes | Yes |
| Length of Power Cord | 5.5' | 5.5' | 5.5' | 5.5' | 5.5' | 5.5' | 5.5' |
| Circuit Breaker | 15A | 20A | 15A | 20A | 20A | 20A | 30A |
| Plug Type (NEMA) | LCDI 6-15P | LCDI 6-20P | LCDI 6-15P | LCDI 6-20P | LCDI 6-20P | LCDI 6-20P | LCDI 6-30P |
| SPECIFICATIONS | | | | | | | |
| Refrigerant / Charge | R410a / 22.90 oz. | R410 / 22.90 oz. | R410a / 23.60 oz. | R410 / 23.60 oz. | R410a / 35.27 oz. | R410a / 35.27 oz. | R410a / 35.27 oz. |
| Product Weight | 104 Lbs. | 104 Lbs. | 113 Lbs. | 113 Lbs. | 116 Lbs. | 118 Lbs. | 120 Lbs. |
| Shipping Weight (Approx.) | 128 Lbs. | 128 Lbs. | 137 Lbs. | 137 Lbs. | 140 Lbs. | 142 Lbs. | 144 Lbs. |
| Product Dimensions (Overall Unit including Front Cover) - A - Height x B - Width x C - Depth | 16"x42"x21-3/4" | 16"x42"x21-3/4" | 16"x42"x21-3/4" | 16"x42"x21-3/4" | 16"x42"x21-3/4" | 16"x42"x21-3/4" | 16"x42"x21-3/4" |
| Inside Sleeve Depth | 13-3/4" | 13-3/4" | 13-3/4" | 13-3/4" | 13-3/4" | 13-3/4" | 13-3/4" |
| Wall Cutout Dimensions - | | | | | | | |
| Height x Width | 16-1/4"x42-1/4" | 16-1/4"x42-1/4" | 16-1/4"x42-1/4" | 16-1/4"x42-1/4" | 16-1/4"x42-1/4" | 16-1/4"x42-1/4" | 16-1/4"x42-1/4" |
| PERFORMANCE (265V) | | | | | | | |
| BTU (Cool) | 7,200 | 7,200 | 9,400 | 9,400 | 11,800 | 14,500 | 14,500 |
| BTU (Electric Heater) | 8,300 | 11,700 | 8,300 | 11,700 | 11,700 | 11,700 | 17,000 |
| Dehumidification (Pints per Hour) | 1.7 | 1.7 | 2.1 | 2.1 | 2.7 | 3.5 | 3.5 |
| Cool Area (Approx. Sq.Ft.) | 300 | 300 | 450 | 450 | 620 | 830 | 830 |
| Energy Efficiency Ratio | 13.0 | 13.0 | 12.1 | 12.1 | 11.6 | 10.4 | 10.4 |
| Air Volume CFM (High/Low) | 312/282 | 312/282 | 330/294 | 330/294 | 341/306 | 341/306 | 341/306 |
| Dry Mode | Yes | Yes | Yes | Yes | Yes | Yes | Yes |
| Noise Level dB (High/Low) | 50/48 | 50/48 | 52/50 | 52/50 | 53/50 | 54/51 | 54/51 |
| ELECTRICAL | | | | | | | |
| Volts / Hertz | 265V / 60Hz | 265V / 60Hz | 265V / 60Hz | 265V / 60Hz | 265V / 60Hz | 265V / 60Hz | 265V / 60Hz |
| Amps (Cool) | 2.4 | 2.4 | 3.3 | 3.3 | 4.2 | 5.4 | 5.4 |
| Amps (Electric Heater) | 9.3 | 13.1 | 9.3 | 13.1 | 13.0 | 13.0 | 18.9 |
| Watts (Cool) | 550 | 550 | 775 | 775 | 1,015 | 1,390 | 1,390 |
| Watts (Electric Heater) | 2,450 | 3,450 | 2,450 | 3,450 | 3,450 | 3,450 | 5,000 |
| Cable Included | Yes | Yes | Yes | Yes | Yes | Yes | Yes |
| Length of Power Cord | 2.3' | 2.3' | 2.3' | 2.3' | 2.3' | 2.3' | 2.3' |
| Circuit Breaker | 15A | 20A | 15A | 20A | 20A | 20A | 30A |
| Plug Type (NEMA) | LCDI 7-15P | LCDI 7-20P | LCDI 7-15P | LCDI 7-20P | LCDI 7-20P | LCDI 7-20P | LCDI 7-30P |
| SPECIFICATIONS | | | | | | | |
| Refrigerant / Charge | R410a / 22.9 oz. | R410a / 22.9 oz. | R410a / 23.6 oz. | R410a / 23.6 oz. | R410a / 35.27 oz. | R410a / 35.27 oz. | R410a / 35.27 oz. |
| Product Weight | 104 Lbs. | 104 Lbs. | 113 Lbs. | 113 Lbs. | 116 Lbs. | 117 Lbs. | 119 Lbs. |
| Shipping Weight (Approx.) | 128 Lbs. | 128 Lbs. | 137 Lbs. | 137 Lbs. | 140 Lbs. | 141 Lbs. | 143 Lbs. |
| Product Dimensions (Overall Unit including Front Cover) - A - Height x B - Width x C - Depth | 16"x42"x21-3/4" | 16"x42"x21-3/4" | 16"x42"x21-3/4" | 16"x42"x21-3/4" | 16"x42"x21-3/4" | 16"x42"x21-3/4" | 16"x42"x21-3/4" |
| Inside Sleeve Depth | 13-3/4" | 13-3/4" | 13-3/4" | 13-3/4" | 13-3/4" | 13-3/4" | 13-3/4" |
| Wall Cutout Dimensions - | | | | | | | |
| Height x Width | 16-1/4"x42-1/4" | 16-1/4"x42-1/4" | 16-1/4"x42-1/4" | 16-1/4"x42-1/4" | 16-1/4"x42-1/4" | 16-1/4"x42-1/4" | 16-1/4"x42-1/4" |

PTAC Dimensions



Wall Sleeve & Outdoor Grille Installation

For wall sleeves and grille accessories refer to Air Conditioning Accessories on the web at frigidaire.com



PTAC 2017 AIR CONDITIONER COLLECTION

AIR CONDITIONER/HEAT PUMPS WITH BACKUP ELECTRIC HEAT

All models come with Corrosion Guard.

| PERFORMANCE (230/208V) | FFRP072HT2 | FFRP072HT3 | FFRP092HT2 | FFRP092HT3 | FFRP122HT3 | FFRP152HT3 | FFRP152HT4 |
|--|----------------------------|----------------------------|----------------------------|----------------------------|----------------------------|----------------------------|----------------------------|
| BTU (Cool) | 7,200/7,000 | 7,200/7,000 | 9,400/9,200 | 9,400/9,200 | 11,800/11,600 | 14,500/14,200 | 14,500/14,200 |
| BTU (Electric Heat) | 8,300/6,800 | 11,700/9,600 | 8,300/6,800 | 11,700/9,600 | 11,700/9,600 | 11,700/9,600 | 17,000/13,900 |
| BTU (Heat Pump) | 6,000/5,800 | 6,000/5,800 | 8,300/8,100 | 8,300/8,100 | 10,600/10,400 | 13,300/13,000 | 13,300/13,000 |
| Dehumidification (Pints per Hour) | 1.7 | 1.7 | 2.1 | 2.1 | 2.7 | 3.5 | 3.5 |
| Cool Area (Approx. Sq.Ft.) | 300 | 300 | 450 | 450 | 620 | 830 | 830 |
| Energy Efficiency Ratio | 13.0 | 13.0 | 12.1 | 12.1 | 11.6 | 10.4 | 10.4 |
| Air Volume CFM (High/Low) | 312/282 | 312/282 | 330/294 | 330/294 | 341/306 | 341/306 | 341/306 |
| Dry Mode | Yes | Yes | Yes | Yes | Yes | Yes | Yes |
| Noise Level dB (High/Low) | 50/48 | 50/48 | 52/50 | 52/50 | 53/50 | 54/51 | 54/51 |
| ELECTRICAL | | | | | | | |
| Volts / Hertz | 230/208V / 60Hz | 230/208V / 60Hz | 230/208V / 60Hz | 230/208V / 60Hz | 230/208V / 60Hz | 230/208V / 60Hz | 230/208V / 60Hz |
| Amps (Cool) | 2.7/2.9 | 2.7/2.9 | 3.7/3.9 | 3.7/3.9 | 4.9/5.1 | 6.2/6.7 | 6.2/6.7 |
| Amps (Backup Electric Heat) | 10.7/9.7 | 15.0/13.6 | 10.7/9.7 | 15.0/13.6 | 15.0/13.6 | 15.0/13.6 | 21.8/19.7 |
| Amps (Heat Pump) | 2.4/2.6 | 2.4/2.6 | 3.2/3.4 | 3.2/3.4 | 4.2/4.7 | 6.2/6.7 | 6.2/6.7 |
| Watts (Cool) | 550/535 | 550/535 | 775/760 | 775/760 | 1,015/1,000 | 1,390/1,365 | 1,390/1,365 |
| Watts (Backup Electric Heat) | 2,450/2,000 | 3,450/2,820 | 2,450/2,000 | 3,450/2,820 | 3,450/2,820 | 3,450/2,820 | 5,000/4,089 |
| Watts (Heat Pump) | 485/470 | 485/470 | 695/675 | 695/675 | 910/895 | 1,255/1,225 | 1,255/1,225 |
| Cable Included | Yes | Yes | Yes | Yes | Yes | Yes | Yes |
| Length of Power Cord | 5.5' | 5.5' | 5.5' | 5.5' | 5.5' | 5.5' | 5.5' |
| Circuit Breaker | 15A | 20A | 15A | 20A | 20A | 20A | 30A |
| Plug Type (NEMA) | LCDI 6-15P | LCDI 6-20P | LCDI 6-15P | LCDI 6-20P | LCDI 6-20P | LCDI 6-20P | LCDI 6-30P |
| SPECIFICATIONS | | | | | | | |
| Refrigerant / Charge | R410a / 33.9 oz. | R410a / 33.9 oz. | R410a / 33.9 oz. | R410a / 33.9 oz. | R410a / 35.3 oz. | R410a / 38.8 oz. | R410a / 38.8 oz. |
| Product Weight | 108 Lbs. | 108 Lbs. | 117 Lbs. | 117 Lbs. | 118 Lbs. | 122 Lbs. | 122 Lbs. |
| Shipping Weight (Approx.) | 132 Lbs. | 132 Lbs. | 141 Lbs. | 141 Lbs. | 142 Lbs. | 146 Lbs. | 146 Lbs. |
| Product Dimensions (Overall Unit including Front Cover) – A-Height x B-Width x C-Depth Inside Sleeve Depth | 16"x42"x21-3/4" 13-3/4" | 16"x42"x21-3/4" 13-3/4" | 16"x42"x21-3/4" 13-3/4" | 16"x42"x21-3/4" 13-3/4" | 16"x42"x21-3/4" 13-3/4" | 16"x42"x21-3/4" 13-3/4" | 16"x42"x21-3/4" 13-3/4" |
| Wall Cutout Dimensions – Height x Width | 16-1/4"x42-1/4" | 16-1/4"x42-1/4" | 16-1/4"x42-1/4" | 16-1/4"x42-1/4" | 16-1/4"x42-1/4" | 16-1/4"x42-1/4" | 16-1/4"x42-1/4" |
| PERFORMANCE (265V) | FFRP072HT5 | FFRP072HT6 | FFRP092HT5 | FFRP092HT6 | FFRP122HT6 | FFRP152HT6 | FFRP152HT7 |
| BTU (Cool) | 7,200 | 7,200 | 9,400 | 9,400 | 11,800 | 14,500 | 14,500 |
| BTU (Electric Heat) | 8,300 | 11,700 | 8,300 | 11,700 | 11,700 | 11,700 | 17,000 |
| BTU (Heat Pump) | 6,000 | 6,000 | 8,300 | 8,300 | 10,600 | 13,300 | 13,300 |
| Dehumidification (Pints per Hour) | 1.7 | 1.7 | 2.1 | 2.1 | 2.7 | 3.5 | 3.5 |
| Cool Area (Approx. Sq.Ft.) | 300 | 300 | 450 | 450 | 620 | 830 | 830 |
| Energy Efficiency Ratio | 13.0 | 13.0 | 12.1 | 12.1 | 11.6 | 10.4 | 10.4 |
| Air Volume CFM (High/Low) | 312/282 | 312/282 | 330/294 | 330/294 | 341/306 | 341/306 | 341/306 |
| Dry Mode | Yes | Yes | Yes | Yes | Yes | Yes | Yes |
| Noise Level dB (High/Low) | 50/48 | 50/48 | 52/50 | 52/50 | 53/50 | 54/51 | 54/51 |
| ELECTRICAL | | | | | | | |
| Volts / Hertz | 265V / 60Hz | 265V / 60Hz | 265V / 60Hz | 265V / 60Hz | 265V / 60Hz | 265V / 60Hz | 265V / 60Hz |
| Amps (Cool) | 2.4 | 2.4 | 3.3 | 3.3 | 4.2 | 5.4 | 5.4 |
| Amps (Backup Electric Heat) | 9.3 | 13.1 | 9.3 | 13.1 | 13.0 | 13.0 | 18.9 |
| Amps (Heat Pump) | 2.2 | 2.2 | 3.1 | 3.1 | 3.7 | 5.2 | 5.2 |
| Watts (Cool) | 550 | 550 | 775 | 775 | 1,015 | 1,390 | 1,390 |
| Watts (Backup Electric Heat) | 2,450 | 3,450 | 2,450 | 3,450 | 3,450 | 3,450 | 5,000 |
| Watts (Heat Pump) | 485 | 485 | 695 | 695 | 910 | 1,255 | 1,255 |
| Cable Included | Yes | Yes | Yes | Yes | Yes | Yes | Yes |
| Length of Power Cord | 2.3' | 2.3' | 2.3' | 2.3' | 2.3' | 2.3' | 2.3' |
| Circuit Breaker | 15A | 20A | 15A | 20A | 20A | 20A | 30A |
| Plug Type (NEMA) | LCDI 7-15P | LCDI 7-20P | LCDI 7-15P | LCDI 7-20P | LCDI 7-20P | LCDI 7-20P | LCDI 7-30P |
| SPECIFICATIONS | | | | | | | |
| Refrigerant / Charge | R410a / 33.9 oz. | R410a / 33.9 oz. | R410a / 33.9 oz. | R410a / 33.9 oz. | R410a / 35.3 oz. | R410a / 38.8 oz. | R410a / 38.8 oz. |
| Product Weight | 108 Lbs. | 108 Lbs. | 116 Lbs. | 116 Lbs. | 120 Lbs. | 120 Lbs. | 122 Lbs. |
| Shipping Weight (Approx.) | 132 Lbs. | 132 Lbs. | 140 Lbs. | 140 Lbs. | 144 Lbs. | 144 Lbs. | 146 Lbs. |
| Product Dimensions (Overall Unit including Front Cover) – A-Height x B-Width x C-Depth D-Inside Sleeve Depth | 16"x42"x21-3/4" 13-3/4" | 16"x42"x21-3/4" 13-3/4" | 16"x42"x21-3/4" 13-3/4" | 16"x42"x21-3/4" 13-3/4" | 16"x42"x21-3/4" 13-3/4" | 16"x42"x21-3/4" 13-3/4" | 16"x42"x21-3/4" 13-3/4" |
| Wall Cutout Dimensions – Height x Width | 16-1/4"x42-1/4" | 16-1/4"x42-1/4" | 16-1/4"x42-1/4" | 16-1/4"x42-1/4" | 16-1/4"x42-1/4" | 16-1/4"x42-1/4" | 16-1/4"x42-1/4" |

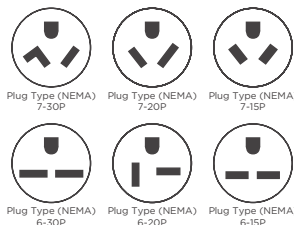
Specifications subject to change.

Note: For planning purposes only. Always consult local and national electric codes. Refer to Product Installation Guide on the web at frigidaire.com for detailed instructions.

Commercial Grade Warranty: 2 year full parts and labor / 5 year sealed system. Contact Commercial Call Center for Warranty and Service Concerns at 1-866-942-1567.

Accessories: Information available on the web at frigidaire.com

Plug Types



The Industry's Longest Standard Warranty

Two Years
Full Parts and labor

Five Years
Limited Parts and Labor Coverage on the Sealed Refrigeration System

